

2.01

TERMOSTATI DANFOSS

VALVOIND Via Pascoli,5 - 24060 Bagnatica (Bergamo) Tel. 035.681919 Fax. 035.684461

Valvoind

valvole industriali

Fluido aria,gas,liquidi Carico sui contatti AC =10A 440V
 Protezione IP 66 DC=12W 230V
 IP 54 con riarmo manuale

Type	Campo di regolazione		Differenziale reolabile		temp.	Capillare	SPDT
			campo piu'	campo piu'	max.	lungh.	
	°C		basso	alto	al bulbo	length	
			°C	°C	°C	m	

CODICE							AGGIUNGERE AL CODICE: A
AS30101	RT 10	-60- -25	1,7- 7	1- 3	150	2	017-5077
AS30102	RT 9	-45- -15	2,2- 10	1- 4,5	150	2	017-5066
AS30103	RT 13	-30- 0	1,5- 6	1- 3	150	2	017-5097
AS30104	RT 3	-25- 15	2,8- 10	1- 4	150	2	017-5014
AS30105	RT 3	-25- 15	2,8- 10	1- 4	150	5	017-2016
AS30106	RT 3	-25- 15	2,8- 10	1- 4	150	8	017-5017
AS30107	RT 2	-25- 15	5- 18	6- 20	150	2	017-5008
AS30108	RT 7	-25- 15	2- 10	2,5- 14	150	2	017-5053
AS30109	RT 7	-25- 15	2- 10	2,5- 14	150	5	017-5055
AS30110	RT 7	-25- 15	2- 10	2,5- 14	150	8	017-5056
AS30111	RT 8	-20- 12	1,5- 7	1,5- 7	145	2	017-5063
AS30112	RT 12	-5- 10	1- 3,5	1- 3	65	2	017-5089
AS30113	RT 14	-5- 30	2- 8	2- 10	150	2	017-5099
AS30114	RT 14	-5- 30	2- 8	2- 10	150	3	017-5100
AS30115	RT 14	-5- 30	2- 8	2- 10	150	5	017-5101
AS30116	RT 14	-5- 30	2- 8	2- 10	150	8	017-5102
AS30117	RT 14	-5- 30	2- 8	2- 10	150	10	017-5103



CODICE							AGGIUNGERE AL CODICE:		
	A	B	C						
AS30118	RT 26	-5- 50	2- 9	3- 19	150	2	017-5180	Contatto d'allarme di max SPDT	SPDT
AS30119	RT 23	5- 22	1,1- 3	1- 3	85	2	017-5278		
AS30120	RT 15	8- 32	1,6- 8	1,6- 8	150	2	017-5115		
AS30121	RT 109	0- 85	6,5 fixed		200	2	017-5264 ⁴⁾		
AS30122	RT 101	25- 90	2,4- 10	3,5- 20	300	2	017-5003	017-5004	017-5005
AS30123	RT 101	25- 90	2,4- 10	3,5- 20	300	3	017-5006		
AS30124	RT 101	25- 90	2,4- 10	3,5- 20	300	5	017-5022	017-5023	
AS30125	RT 101	25- 90	2,4- 10	3,5- 20	300	8	017-5024		
AS30126	RT 101	25- 90	2,4- 10	3,5- 20	300	10	017-5025	017-5026	
AS30127	RT 106	20- 90	4- 20	2- 7	120	2	017-5048		017-5049
AS30128	RT 106	20- 90	4- 20	2- 7	120	3			017-5051
AS30129	RT 106	20- 90	4- 20	2- 7	120	5	017-5050		
AS30130	RT 108	30- 140	5- 20	4- 14	220	2	017-5060		
AS30131	RT 107	70- 150	6- 25	1,8- 8	215	2	017-5135	017-5136	017-5137
AS30132	RT 107	70- 150	6- 25	1,8- 8	215	3	017-5139		
AS30133	RT 107	70- 150	6- 25	1,8- 8	215	5	017-5140	017-5141	017-5143
AS30134	RT 107	70- 150	6- 25	1,8- 8	215	8	017-5144		
AS30135	RT 107	70- 150	6- 25	1,8- 8	215	10	017-5145		
AS30136	RT 120	120- 215	7- 30	1,8- 9	260	2	017-5205 ¹⁾	017-5211	017-5210
AS30137	RT 120	120- 215	7- 30	1,8- 9	260	5	017-5206 ¹⁾	017-5212	
AS30138	RT 120	120- 215	7- 30	1,8- 9	260	8	017-5207 ¹⁾		
AS30139	RT 120	120- 215	7- 30	1,8- 9	260	2	017-5208	017-5214	
AS30140	RT 120	120- 215	7- 30	1,8- 9	260	5	017-5209		
AS30141	RT 123	150- 250	6,5- 30	1,8- 9	300	2	017-5220	017-5224	
AS30142	RT 123	150- 250	6,5- 30	1,8- 9	300	5	017-5222		
AS30143	RT 123	150- 250	6,5- 30	1,8- 9	300	8	017-5223		
AS30144	RT 124	200- 300	5- 25	2,5- 10	350	2	017-5227	017-5231	
AS30145	RT 124	200- 300	5- 25	2,5- 10	350	5	017-5229		

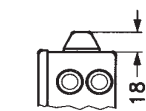
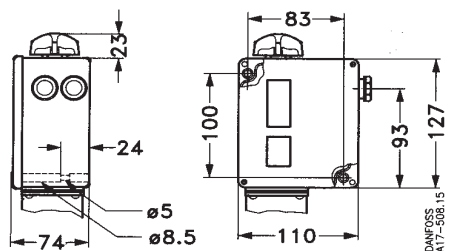
2.02

TERMOSTATI DANFOSS

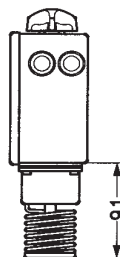
Valvoin

valvole industriali

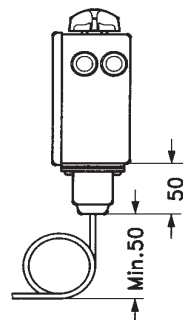
VALVOIND Via Pascoli,5 - 24060 Bagnatica (Bergamo) Tel. 035.681919 Fax. 035.684461



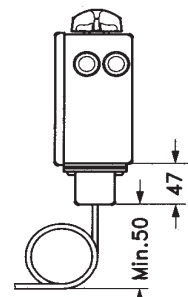
RT 101, 107, 120, 123 special versions with seal cap and blank cover



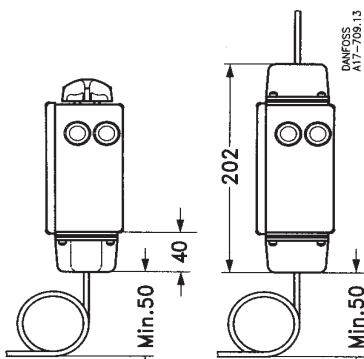
- RT 4
- RT 11
- RT 16
- RT 16L
- RT 17
- RT 34
- RT 103
- RT 115



- RT 106
- RT 107
- RT 120
- RT 123



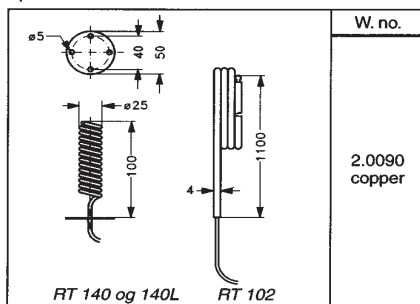
- RT 2
- RT 3
- RT 9



- RT 7
- RT 8, RT 8L
- RT 10
- RT 12
- RT 13
- RT 14, RT 14L
- RT 15
- RT 21
- RT 23
- RT 24
- RT 26
- RT 101, RT 101L
- RT 108
- RT 124
- RT 140, RT 140L

Weight approx. 1 kg

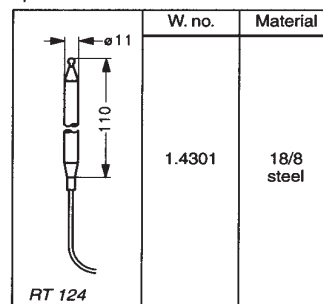
Special sensor



RT 140 og 140L RT 102

W. no.
2.0090 copper

Special sensor

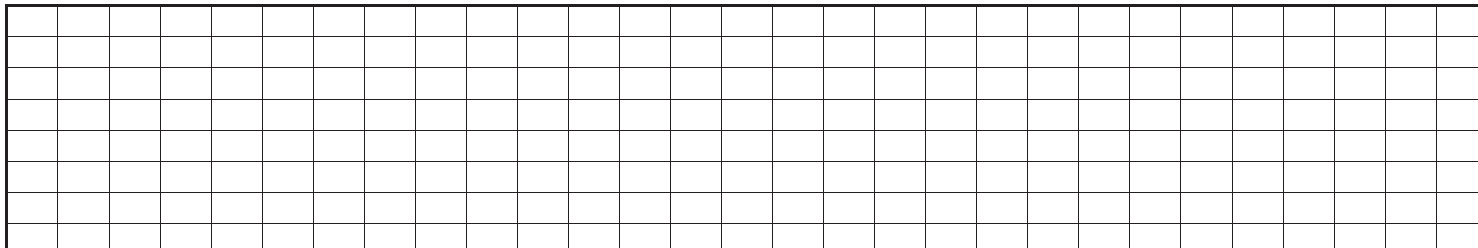
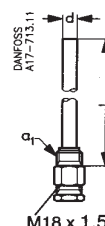


RT 124

W. no.	Material
1.4301	18/8 steel

Choice of suitable sensor pocket

W.no.	Type	Capillary tube length m	L mm	Suitable sensor pocket Code no.	Material	W.no.	L mm	a ₁ mm	d mm								
										2.0090 copper	RT2/3/7/9/10/13/26/120	2, 3, 5, 8, 10	80	993N3568 993N3615	Brass 18/8 steel	2.0321 1.4301	112
RT101/101L	2,3	993N3568 993N3615	Brass 18/8 steel	2.0321 1.4301	112	G ½	11										
RT8,8L/14/14L, 15,107, 123, 270	2, 3, 5, 8, 10	993N3568 993N3615	Brass 18/8 steel	2.0321 1.4301	112	G ½	11										
								RT101	5,8,10								
RT14/ 271	10	993N3569 993N3615	Brass	2.0321	182	G ½	11										
								RT271	10								
RT12/23	2	017-4216	017-4216	2.0235	110 160	G ½	15										
								RT108	2		017-4216	017-4216	110 160	G ½	15		
2.0240 brass	RT106	2.3	76	060L3330 060L3327	Brass	2.0235	110 160	G ½	15								
											5	86	060L3331 060L3329	18/8 steel	1.4301	110 160	G ½
		060L3330 060L3327	Brass	2.0235	110 160	G ½	15										
								060L3331 060L3329	18/8 steel	1.4301	110 160	G ½	15				
Sensor pocket, solid version. internal diameter 13.1mm				017-4218	AISI 316L	1.4435	108	G ½	15.7								

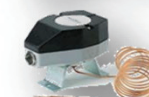


VALVOIND Srl Via Pascoli, 5 - 24060 Bagnatica (Bergamo) Tel. 035.681919-Fax. 035.684461

Valvoind

valvole industriali

CODICI	MODELLO	RANGE	Temperature °C			IP	materiale capillare
			differenziale	ambiente	max.fluido		
TERMOSTATO CON REGOLAZIONE ESTERNA CON CAPILLARE 2mt							
AS60301	M40	-30..+40	0.7..10	-30..+70	45	IP 54	Rame AISI 316 L
AS60302	M35	0..+35	0.7..10		70		
AS60303	M95	+5..+95	2..12		105		
AS60304	M150	+20..+150	2.5..16		165		
AS60305	M230S	+20..+230	3..32		250		
AS60306	M350S	+70..+350	4..40		380		
TERMOSTATO PER AMBIENTI AGRESSIVI CON CAPILLARE 1,5mt							
AS60401	GS95	+5..+95	2.5	-30..+70	105	IP 54	FEP FEP
AS60402	GS150	+20..+150	3.0		165		
TERMOSTATO DOPPIO-REGOLAZIONE+capillare 2 mt+RIARMO MANUALE							
AS60501	D95R	+5..+95	2.0..12	-30..+70	105	IP 54	Rame
AS60502	D150R	+20..+150	2.5..16		165		
AS60503	D300R	40..300	4..40		380		
TERMOSTATO A DOPPIA SOGLIA CON CAPILLARE 2mt							
AS60601	M2S40	-30..40	1.8	-30..+70	45	IP 54	Rame
AS60602	M2S35	0..+35	1.8		50		
AS60603	M2S95	+5..+95	2.5		105		
AS60604	M2S150	+20..+150	3.0		165		
AS60605	M2S230S	+20..+230	4.5		250		
AS60606	M2S350S	70..350	5.0		380		
TERMOSTATI PER APPLICAZIONI INDUSTRIALI A CAPILLARE 2mt							
AS60701	I 40	-30..+40	0.7..10	-30..+70	45	IP 65	Rame AISI 316 L
AS60702	I 35	0..+35	0.7..10		60		
AS60703	I 95	+5..+95	2.0..12		105		
AS60704	I 150	+20..+150	2.5..16		165		
AS60705	IS 230 S	+20..+230	3.0..32		250		
AS60706	IS 350 S	+70..+350	4.0..40		380		
TERMOSTATI CON CAPILLARE 2mt A RIARMO MANUALE							
AS60801	IS95R	+5..+95		-30..+70	105	IP 65	Rame AISI 316 L
AS60802	IS150R	+20..+150			165		
AS60803	IS230SR	+20..+230			250		
AS60804	IS350SR	+70..+350			380		
TERMOSTATI REGOLAZIONE INTERNA CON CAPILLARE= 3 mt							
AS60901	ISP9565	+5..+95	4	-30..+70	100	IP 65	65 150
AS60902	ISP11065	+20..+110	4		115		
AS60903	ISP15065	+20..+150	4		165		
AS60904	ISP9515	+5..+95	4		100		
AS60905	ISP11015	+20..+110	4		115		
AS60906	ISP15015	+20..+150	4		165		
TERMOSTATI REGOLAZIONE INTERNA A GAMBO							
AS61001	ISPT9565	+5..+95	4	-30..+70	100	IP 65	65 150
AS61002	ISPT11065	+20..+110	4		115		
AS61003	ISPT15065	+20..+150	5		165		
AS61004	ISPT9515	+5..+95	4		100		
AS61005	ISPT11015	+20..+110	4		115		
AS61006	ISPT15015	+20..+150	5		165		
TERMOSTATI REGOLAZIONE INTERNA CON CAPILLARE= 3 mt							
AS61101	ISN11015		2	-30..+70	115	IP 65	150 110 65 150 110 65
AS61102	ISN11011	+20..+110	2		115		
AS61103	ISN11065		2		115		
AS61104	ISN15015		2.5		165		
AS61105	ISN15011	+20..+150	2.5		165		
AS61106	ISN15065		2.5		165		
TERMOSTATI REGOLAZIONE INTERNA A GAMBO							
AS61201	ISNT11015		2	-30..+70	115	IP 65	150 110 65 150 110 65
AS61202	ISNT11011	+20..+110	2		115		
AS61203	ISNT11065		2		115		
AS61204	ISNT15015		2.5		165		
AS61205	ISNT15011	+20..+150	2.5		165		
AS61206	ISNT15065		2.5		165		



AS 900

TERMOSTATI PER CENTRALI TERMICHE

AS90101	CO3A3	10..90°C	Termostati con gambo rigido	-35..+120	120	IP 40	98
AS90102	CO3B3	40..120°C		-35..+120	150	IP 40	98
AS90103	CO8A	0..110°C		-35..+120	120	IP 40	205
AS90104	CO8B	90..200°C		-35..+120	150	IP 40	205
AS90201	CO6AM	100°C	a riarmo man.	-35..+120	120	IP40	95
AS90301	CO7A3M	10..90°C	Bitermostato	-35..+120	120	IP40	98
AS90401	CO4B3	50..300°C	Termostati con capillare	-35..+120	300	IP40	1,5 mt
AS90402	CO4B3Y	50..300°C		-35..+120	300	IP65	1,5 mt
AS90403	CO4E3Y	40..120°C		-35..+120	150	IP65	1 mt

